



LADDER SYSTEM

Carbon fiber swim ladder solution

EXIT
CARBON

BETTER
YACHTING



MADE IN ITALY

www.exitcarbon.com

Carbon fiber swim ladders

Your yacht may need different ladders for different climbs.

Exit Carbon Ladders enables you to combine different modules when and where you need them. Our range of ladders is the light, fully customizable carbon fiber swim ladder solution for small yachts to cruising ships.

Giotto swimming pool style ladders with 80 cm tall grips, for maximum comfort when at anchor, are available in 6 different widths and with the length going from 3 up to 10 steps, also in 2 parts configuration which gives you 3 different length ladders for the price of one. You can also have a folding variant, with the bottom 4 steps which are hinged. You can raise them out of the water when sailing, without removing the ladder from its fittings.

Miro ladders with 35 cm tall grips are available in 7 different widths, with length from 3 to 6 steps.

Dali are fold-up swim platform ladders which can be left on the stern during navigation.

Two different kinds of standalone grips, 35 cm tall **Mirò** (0.7 kg) and 90 cm tall **Leonardo** (0.95 kg), both with quick release hand operated screws, can be added on deck when at anchor for maximum comfort.

TECHNICAL DATA

LENGTH	900 mm to 3600 mm
WIDTH	350, 400, 450, 500, 550, 600, 650 mm
STEP DISTANCE	300 mm
WEIGHT	2.5 to 14 Kg
2 PARTS LADDERS	2+3, 3+3, 3+4, 4+4, 5+5



Exit Carbon's Giotto ladder received the DAME Award Special Mention



Table of Contents

Giotto foldin ladder

Giotto 5

Dalì 6

Leonardo & Mirò - Grips 7

Technical Data Sheet 8-9

Deployment 10-12

Customization 13

Price List 14-17

Our Technology 18



Giotto



Dalì



Mirò



Leonardo

Giotto

A carbon swim ladder with 80 cm tall grips for climbing comfort and great strength. Starting at 2.5 kg weight (3 steps, 40 cm wide model), it's as easy and safe as possible to remove and disassemble for easy storage. No risk of damaging your yacht with such a lightweight ladder.

It can be ordered in 2 parts configurations to multiply its uses, connecting one or the other or both segments to the grips thus building with the same structure ladders with different lengths.

NEW 2023

You can also buy folding versions, which can be left installed on the boat, raising out of the water only the bottom 4 steps when you are sailing.

Available from 3 to 10 steps, from 40 cm to 65 cm wide, enhanced with Exit Carbon's signature round section steps designed to maximum comfort on bare feet.

Giotto ladders can be installed on a flat swimming platform or on the side of the boat, with very small adjustments in the configuration: this ladder is the one solution for multiple uses.



NEW!

Giotto **folding** ladder

Folding steel ladders are fairly common and many customers have been asking a folding version of our Giotto ladders for many years.

It took us some time, but we are now very satisfied with the technical solutions we are providing for the hinges.

The folding mechanism is extremely compact, elegant, durable and easy to use. And of course very light.

You can finally have a carbon ladder which you can leave installed on the boat during sailing. You just need to raise the 4 bottom steps (there's also a 5 steps Full Folding version) and lock them to the convenient clamps, to rest them parallel to the upper part of the ladder.

Available from 4 to 7 steps, from 40 cm to 65 cm wide, starting at less than 4 kg.



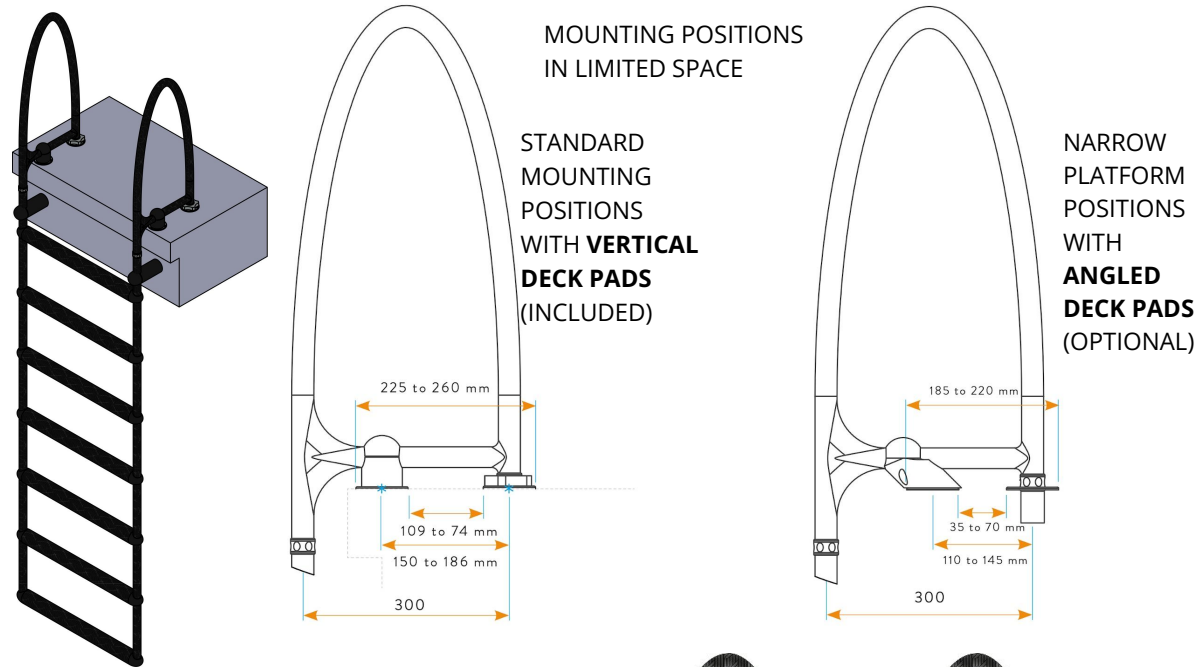
Giotto



SWIM LADDER SYSTEM

Giotto ladder mounting scheme

On a flat surface, typically a swim platform



The **Giotto grips are 300 mm deep on the centerline**, but of course the ladder cannot be placed right against the hull, otherwise there is no room in front of the steps for the feet. So the **maximum centerline distance** of the sockets from the deck edge is 225 mm. To leave some room for the socket flange, this means 265 mm of flat surface from the deck edge.

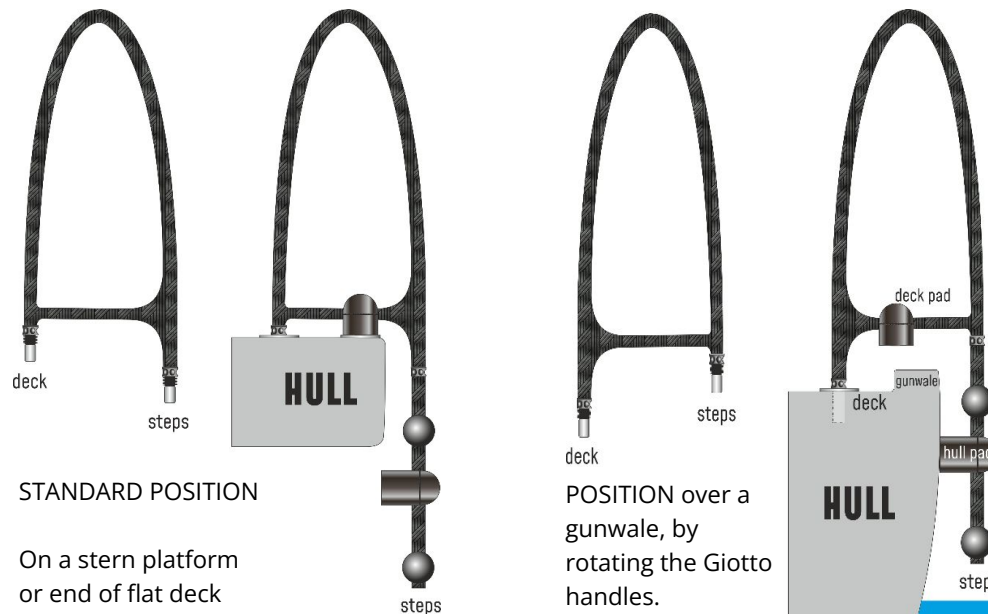
The **minimum centerline distance** is dictated by the need to place the deck compression pads at a safe distance from the sockets. We have two different deck pads:

- the standard ones, included in the price of all Giotto ladders, requiring at least 225 mm free on deck,
 - the optional angled deck pads, in case your flat space is limited, allow installation on 185 mm of free space.
- See below for all the quotes and relevant details for installing Giotto on a flat surface.

Datasheet

Giotto ladder mounting scheme

On the side of the boat, with gunwale



STANDARD POSITION

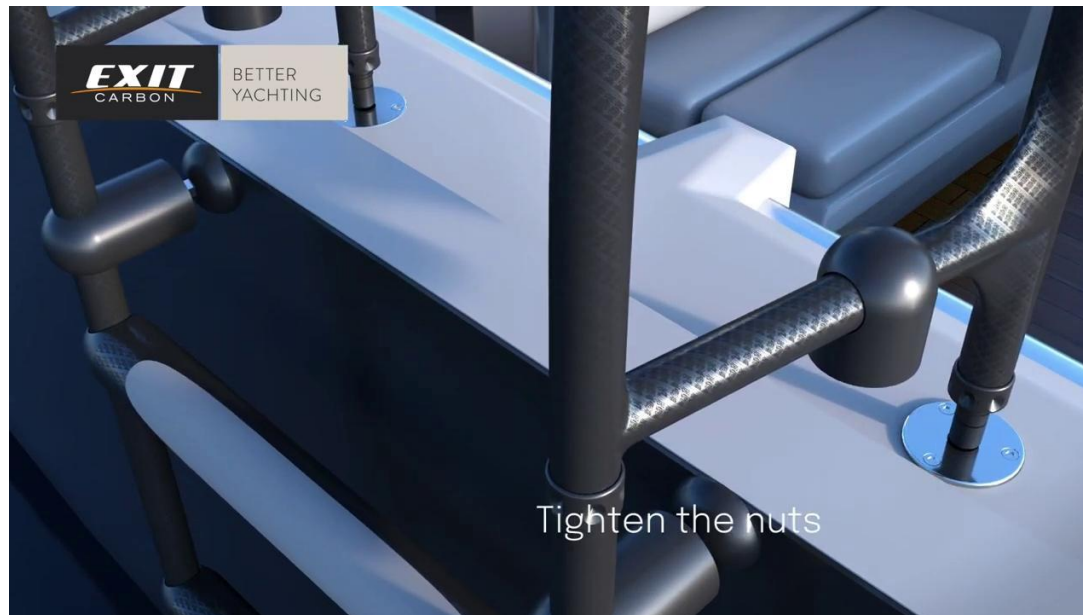
On a stern platform or end of flat deck

POSITION over a gunwale, by rotating the Giotto handles.

Giotto ladder *installation*

GIOTTO SYSTEM can be installed in many more different conditions, e.g. presence of gunwales, not completely flat surfaces, deck angles, stepped surfaces, and so on.

Check this sample video for inspiration: https://youtu.be/GZOkEIXe_Ko .



TECHNICAL CONSTRAINTS

Minimum flat deck area with standard deck pads: 260 mm. 185 mm with Angled deck pads: choose your variant when ordering.
Max distance between axis of female socket and deck corner with standard deck pads: 220 mm
(145 mm with optional "Angled deck pads", see list of options)

NEW 2024!

Mirò ladder



Mirò swim ladders have 35 cm tall grips, for maximum comfort when at anchor, and they are available in 7 different widths starting from 35 cm, and 3 up to 6 steps long, solid or folding.

Our Mirò ladders can be installed not only on flat platforms, but also over a toe-rail, or even on both positions!

Basically, Miro is the universal ladder with supreme comfort for leisurely baths.



Mirò

Dali

A carbon alternative to the standard ladder most sailors want to have on their stern.

Carbon is lighter than aluminium, stronger than steel and doesn't rust.

It can fold up on the swim platform (of course recesses can be made, as with common steel ladders) and be there all the time, as your safety ladder, ready for immediate deployment.

You can also detach it from the yacht, by pulling the 2 spring loaded side pins and lifting the ladder.

With a starting weight of 2.5 kg (3 steps, 40 cm wide model), this is much easier and safer than with any other kind of ladder.

Only 2 extra-small brackets will remain on the boat.



Dali



Handles / Grips / Handrails

Tall “swimming pool” style or standard size ladder grips, they can be left on deck or taken away with a few turns of a hand operated screw. They are available alone or they can be combined with Dalì or with your already existing ladder, anyway you want. Their astonishing lightness, at less than 1 kg each, provides the safety of the most secure handrail right when you need it, during descent and ascent from the water, without any obstacle left on your boat when under way.

Leonardo

90 cm tall Grips (0.95 kg)



Mirò

35 cm tall Grips (0.7 kg)



SWIM LADDER SYSTEM

Some uses of Giotto Swim Ladder System

E
DALI 3 steps
Deck to garage

A+C
GIOTTO 3 steps
Side to tender

A+B+C+D
GIOTTO 7 steps
Side to water

E+F
DALI 3 steps
Platform to water
Folded up for sailing
With optional
35 cm tall Grip

A+B
GIOTTO 4 steps
Platform to water
(not when sailing)

A = GIOTTO 80 cm TALL GRIPS
B = GIOTTO 4 STEPS
C = GIOTTO 3 STEPS
D = V-HULL SPACER
E = DALI 3 STEPS
F = MIRO 35 cm TALL GRIP

MATERIAL



CUSTOM
COLOR



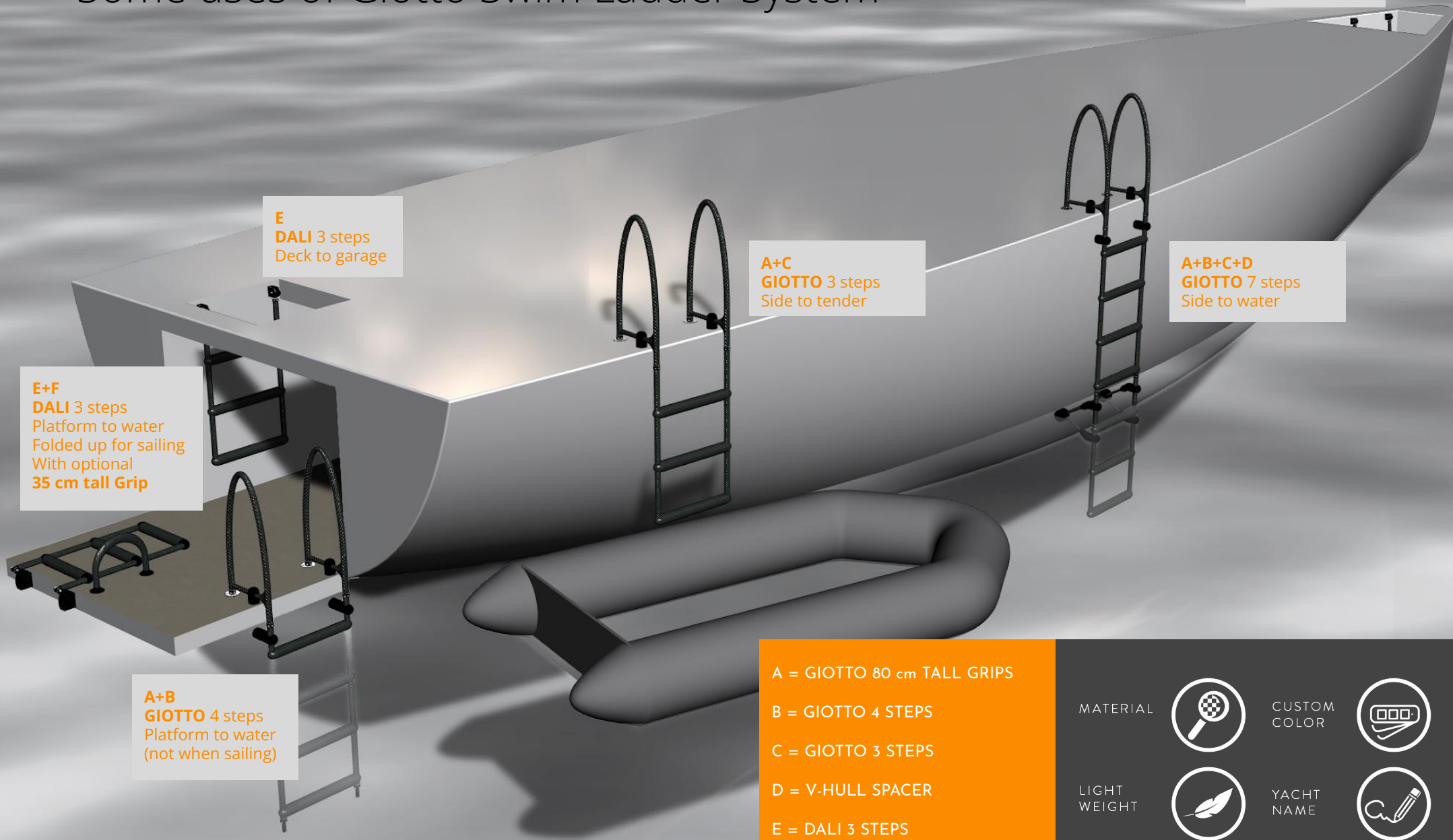
LIGHT
WEIGHT



YACHT
NAME

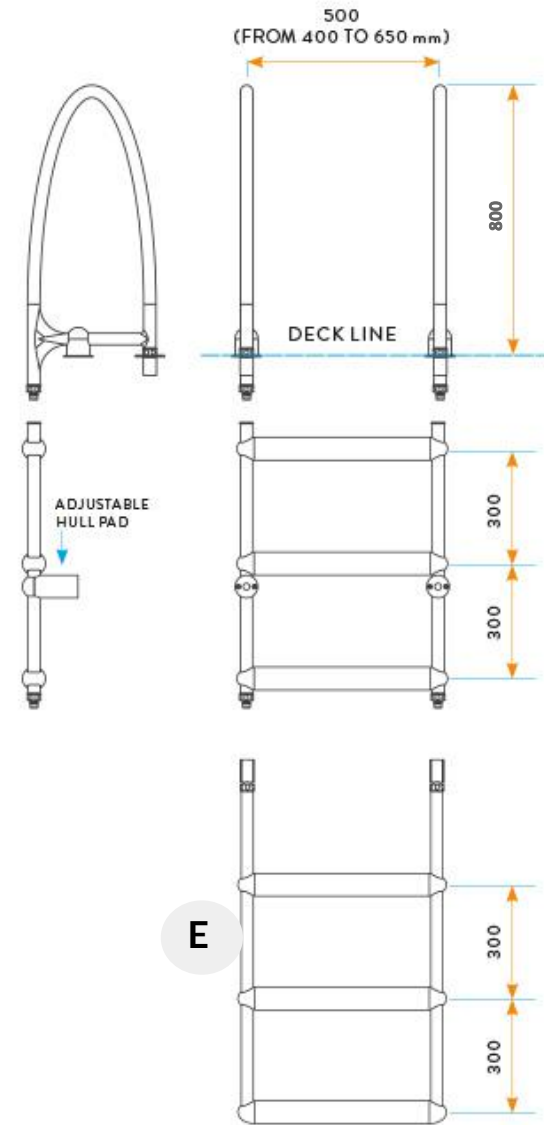
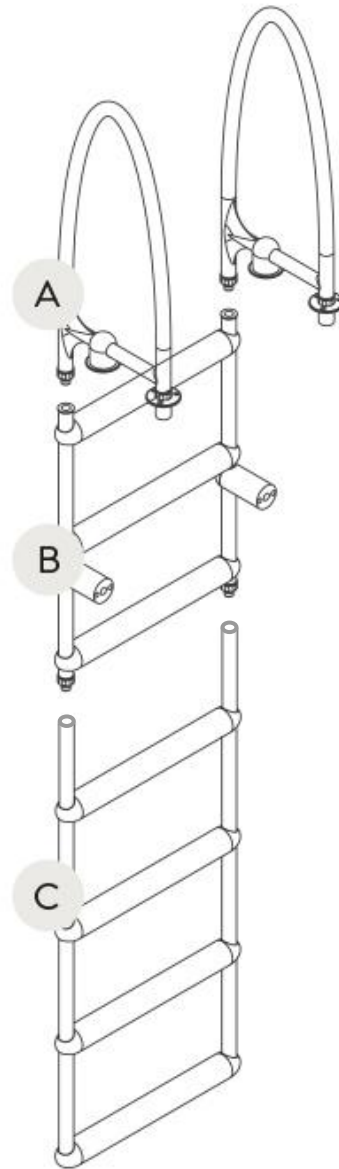


E
DALI 3 steps
Deck to anchor
or sail locker



Elements

A	Giotto 80 cm tall Grips
B	3 steps upper segment
C	4 steps bottom segment
A+B+C	Giotto 2 parts
E	Dalì 3 steps
F	Mirò 35 cm tall Grip
G	Leonardo 90 cm tall Grip



Datasheet

Fitting and customization

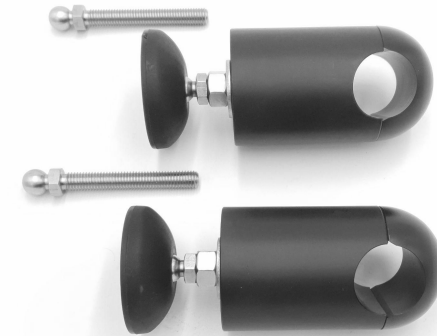
Custom painting and yacht name



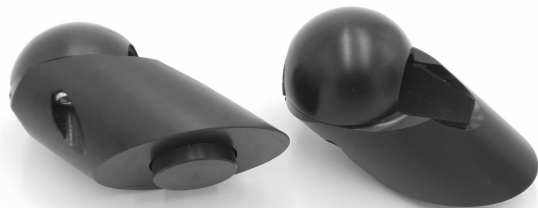
Padded stow bag



Hull pads



Angled deck pads



V-Hull spacer



Additional installation positions



Fittings

Carbon fiber, surfaces, painting and polishing

Our carbon fiber products are produced to have the strongest and lightest structures. With this goal in mind, we exclude the use of hand-wet layup or resin infusion, the two most common technologies, also because they are usually applied with gel-coat on the mould side, which is heavy and not necessary with high performance techniques like pre-preg autoclave curing pultrusion or filament winding.

Of course, you can ask for your Exit Carbon product to be painted in any color and be assured that the painting will be done by a careful and expert hand for a correct application: with a carbon fiber surface ready-to-use, the surface is too smooth for direct painting, so it needs to be completely sanded before the application of the new color.

We sand the carbon surface, then we apply a spray filler and sand it again. The process goes on by using a primer, followed by the paint and then the clearcoat. In the same way, the application of transparent paint or a simple clearcoat is not to be underestimated: since the resin content of the composite is just right, there is micro-porosity on most yarn crossings, so thin that it's not visible if left unpainted. Unfortunately, when paint is applied, the small pore generates a sort of funnel in the paint, increasing its diameter, so the first layer of paint must be sanded and painted again until pores are adequately coated.

The natural surface of our pull-winded uni-directional tubes (hybrid technique with a filament winding applied over a pultruded tube before curing) is the one you can appreciate on our standard sun awning poles.



Without any painting or polishing, this is an example of how parts come out of our moulds (end fittings are added later).



SWIM LADDER SYSTEM

GIOTTO ladder system with 80cm tall removable handles, swimming pool style

Available in folding versions and in 2 parts versions.

See below for special fittings to be used over a toe-rail or even double-use for side and platform use.



Steps	3 to 10	✓ Platform installation
Nominal Width	40 to 65 cm	✓ Stainless steel or black hard anodized aluminium hardware
Weight	6 to 8 Kg	✓ Over toe-rail on the side of the boat
		✓ Folding versions

WIDTH	NUMBER OF STEPS							
	3*	4*(v)	5(v)	6(v)	7(v)	8**	9**	10**
40 cm	€4,460	€4,835	€5,210	€5,610	€6,010	€7,210	€7,660	€8,110
45 cm	€4,510	€4,885	€5,260	€5,660	€6,060	€7,260	€7,710	€8,160
50 cm	€4,560	€4,935	€5,310	€5,710	€6,110	€7,310	€7,760	€8,210
55 cm	€4,635	€5,010	€5,385	€5,785	€6,185	€7,385	€7,835	€8,285
60 cm	€4,710	€5,085	€5,460	€5,860	€6,260	€7,460	€7,910	€8,360
65 cm	€4,785	€5,160	€5,535	€5,935	€6,335	€7,535	€7,985	€8,435

* only available in one part. ** only available in 2 parts. (v) folding version available. **Add €1175 for folding version. Add €750 for 2 parts versions** with 5, 6, and 7 steps.

Finishing

- ✓ Carbon fiber finishing. Twill carbon fabric handles and pultruded carbon fiber tubes with UV resistant clearcoat
- ✓ Non-slip Platinum Grey RAL7036 tread finish
- ✓ Teak step surface available on request
- ✓ Choice of color available as option (see below)

Installation kit

- | | |
|--|--|
| n.2 Stainless steel or black hard anodized female deck sockets with low friction polymer locking screw | n. 2 Delrin/SS adjustable hull pads if mounted on a narrow surface (needs some room for frontal support) |
| n.2 Delrin deck pads with locking deck disks if mounted on a wide flat surface | n.2 Removable handles with stainless steel rotating joints |

Configuration options to specify when ordering	ADD
Stainless steel mounting kit for wide, flat surfaces (attached only to the deck with standard deck pads).	€0
Black aluminium mounting kit for wide, flat surfaces (attached only to the deck with standard deck pads).	€35
Stainless steel mounting kit for narrow, flat surfaces (attached only to the deck with angled deck pads).	€140
Black aluminium mounting kit for narrow, flat surfaces (attached only to the deck with angled deck pads).	€175
Stainless steel mounting kit with sockets on top and hull pads on the sides (sockets on gunwales or platforms with wide radius edges, using additional frontal support).	€110
Black aluminium mounting kit with sockets on top and hull pads on the sides (sockets on gunwales or platforms with wide radius edges, using additional frontal support).	€135
Stainless steel mounting kit with sockets on sloping top and hull pads on the sides (sockets with 6° flange for gunwales or platforms with wide radius edges, using additional frontal support).	€350

Price list

SWIM LADDER SYSTEM

MIRO ladder system with 35 cm tall removable handles

Available in 1 part, 2 parts and folding configurations.

Can be used on a flat platform, over a toe-rail or even double-use for side and platform use.



Steps	3 to 6	✓ Platform installation
Nominal Width	35 to 65 cm	✓ Stainless steel or black hard anodized aluminium hardware
Weight	4 to 8 Kg	✓ Over toe-rail on the side of the boat
		✓ Folding versions

TECHNICAL DETAILS

WIDTH

NUMBER OF STEPS

		3*	4*	5	6
Solid	35 cm	€2.520	€2.895	€3.270	€3.670
Folding	35 cm	€3.695	€4.070	€4.445	€4.845
Solid	40 cm	€2.545	€2.920	€3.295	€3.695
Folding	40 cm	€3.720	€4.095	€4.470	€4.870
Solid	45 cm	€2.595	€2.970	€3.345	€3.745
Folding	45 cm	€3.770	€4.145	€5.420	€4.920
Solid	50 cm	€2.645	€3.020	€3.395	€3.795
Folding	50 cm	€3.820	€4.195	€4.570	€4.970
Solid	55 cm	€2.720	€3.095	€3.470	€3.870
Folding	55 cm	€3.895	€4.270	€4.645	€5.045
Solid	60 cm	€2.795	€3.170	€3.545	€3.945
Folding	60 cm	€3.970	€4.345	€4.720	€5.120
Solid	65 cm	€2.870	€3.245	€3.620	€4.020
Folding	65 cm	€4.045	€4.420	€4.795	€5.195

* only available in one part. ** only available in 2 parts. Add €650 for 2 parts versions with 5, 6, and 7 steps.

MIRO INSTALLATION KIT COMPRISES

- n.2 Stainless steel female deck sockets with low friction polymer locking screw
- n.2 Delrin/SS adjustable hull pads (needs some room for frontal support)
- n.2 Removable handles with stainless steel or black aluminium rotating joints

FINISHING

- Carbon fiber finishing.
- Twill carbon fabric handles and pull-winded carbon fiber tubes with UV resistant clearcoat.
- Grey non-slip tread finish Platinum Grey RAL 7036.
- Teak step surface available on request.
- Choice of color available as option.

Price list

SWIM LADDER SYSTEM

Dali - Fold-up and removable swim ladder

A ladder which can be left permanently on a swim platform, lying down on deck when not in use, or quickly removed with the push of a button



Steps	3 to 10	<ul style="list-style-type: none"> ✓ Bulkhead installation ✓ Rotates to rest on deck
Nominal Width	40 to 65 cm	<ul style="list-style-type: none"> ✓ Pull-pin instant removal ✓ Black hard anodized aluminium hardware
Weight	3 to 8 Kg	<ul style="list-style-type: none"> ✓ Stainless steel and Delrin fittings

WIDTH	3 STEPS*	4 STEPS*	5 STEPS	6 STEPS	7 STEPS	8 STEPS**	9 STEPS**	10 STEPS**
400 mm	€1,665	€1,940	€2,215	€2,490	€2,765	€3,690	€3,965	€4,240
450 mm	€1,775	€2,050	€2,325	€2,600	€2,875	€3,800	€4,075	€4,350
500 mm	€1,885	€2,160	€2,435	€2,710	€2,985	€3,910	€4,185	€4,460
550 mm	€1,995	€2,270	€2,545	€2,820	€3,095	€4,020	€4,295	€4,570
600 mm	€2,105	€2,380	€2,655	€2,930	€3,205	€4,130	€4,405	€4,680
650 mm	€2,215	€2,490	€2,765	€3,040	€3,315	€4,240	€4,515	€4,790

*ONLY AVAILABLE IN ONE PART

** ONLY AVAILABLE IN 2 PARTS

Add €720 for 2 parts versions with 5, 6, and 7 steps

FINISHING

- ✓ Carbon fiber finishing
- ✓ Pull-winded carbon fiber tubes
- ✓ Grey non-slip tread finish
- ✓ Painting and Teak step surface available on request

*Prices in Euro. VAT and shipping not included

SWIM LADDER SYSTEM

Finishing options	NUMBER OF STEPS							
	3	4	5	6	7	8	9	10
Ladder choice of color (with Clearcoat)	€ 555	€ 610	€ 665	€ 720	€ 775	€ 830	€ 885	€ 940
Non-slip tread choice of color	€ 360							
Ladder Metallic choice of color	€ 885	€ 940	€ 995	€ 1,050	€ 1,105	€ 1,160	€ 1,215	€ 1,270
Teak surface	€ 1,210	€ 1,575	€ 1,940	€ 2,305	€ 2,670	€ 3,035	€ 3,400	€ 3,765

Padded stow bags	NUMBER OF STEPS							
	3	4	5	6	7	8	9	10
Stow bag price	€ 560	€ 585	€ 615	€ 635	€ 655	€ 660	€ 675	€ 685

Choices of color
Slate Grey - Whisper Grey - Platinum Grey - Silk Grey - Oyster White - Off White - Snow White - Purple - Ochre Brown - Grey Beige - Desert Sand - Pebble Grey - Majestic Blue - Cobalt Blue - Aristo Blue - Navy Blue - Royal Blue
<i>For even more colors, ask a quote.</i>

Giotto accessories	PRICE
Additional pair of stainless steel deck fittings for deck pads (comprises sockets and locking disks)	€360
Additional pair of stainless steel deck fittings for hull pads (comprises only sockets)	€290
Additional pair of stainless steel deck fittings for hull pads and angled base (6° angled flange sockets)	€545
Additional pair of black aluminium deck fittings for deck pads (comprises sockets and locking disks)	€390
Additional pair of black aluminium deck fittings for hull pads (comprises only sockets)	€310
Retrofit pair of Delrin angled deck pads (for narrow spaces, down to 185 mm flat deck area)	€330
Additional pair of adjustable hull pads (75 to 145 mm long, with self-orienting foot, for additional stability, especially for long ladders)	€360
Additional pair of adjustable extra-long hull pads (75 to 205 mm long, with self-orienting foot, for additional stability, especially for long ladders)	€430
Retrofit pair of hull pad extension (transform standard hull pads into extra-long ones)	€70
Yacht's name on top step	€225
V Hull Support for longer ladders	€1,130

Price list

*Prices in Euro. VAT and shipping not included

SWIM LADDER SYSTEM

Removable handrails

35cm or 90 cm tall, with quick release frictionless screws

Leonardo 90 cm tall removable carbon handrail		PRICE
Height 90 cm Length 30cm Weight 900g	With polished stainless steel deck sockets	€ 1,300
	With black hard anodized deck sockets	€ 1,300

Mirò 35cm tall removable carbon handrail		PRICE
Height 35cm Length 30cm Weight 700g	With polished stainless steel deck sockets	€ 660
	With black hard anodized deck sockets	€ 660

Accessories for removable handrails		PRICE
Additional pair of stainless steel deck sockets		€290
Additional pair of hard anodized aluminium deck sockets		€310
Padded stow bag for Leonardo Grips		€215
Padded stow bag for Miro Grips		€180

Choices of color
<i>Slate Grey - Whisper Grey - Platinum Grey - Silk Grey - Oyster White - Off White - Snow White - Purple - Ochre Brown - Grey Beige - Desert Sand - Pebble Grey - Majestic Blue - Cobalt Blue - Aristo Blue - Navy Blue - Royal Blue</i>
<i>For even more colors, ask a quote.</i>

www.exitcarbon.com

EXIT CARBON IS MANUFACTURED

by **EXIT ENGINEERING**

For more details, please send us an email at info@exitcarbon.com

HEADQUARTERS

Via Industria, 43 30010 - Camponogara (VE) Italy - +39 041 89 48 038

